

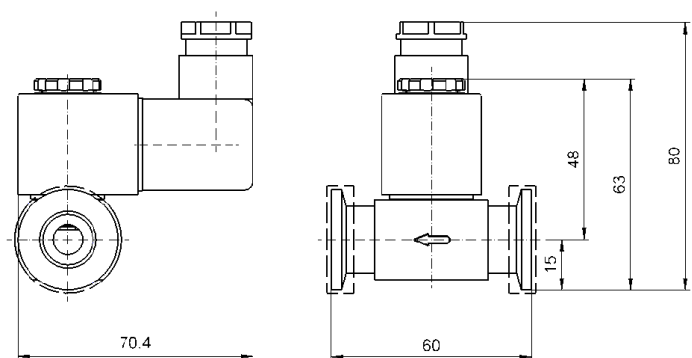
Vacuum Solenoid Valves DN16 ISO-KF NO

(Also usable as power failure vent valve with separate gases)

2/2-Wege Inline-Vacuum- / Gas Inlet Valve for High Vacuum Applications

Specification:

2/2-Way Valve	Electromagnetic
Flange Size:	DIN 28 403 / ISO 2861/1 / KF16
Nominal Width:	DN 3,5
Pressure Range:	0-1 bar absolute
Function:	NO (normally open)
Materials:	Al Si1MGMn 1.4105, 1.4303, 1.4310
Usage:	for Air-, Gas- Vacuum
Media Temperature:	-10°C to 120°C
Ambient Temp.:	max. 50°C
Leak Rate int./ext.:	<1*10 ⁻⁹ mbar l/sec
Endurance:	min. 500 000 Cycles
Voltage Options:	12V AC/DC to 230V AC/DC



Order Information:

Vacuum / Gas Inlet Valve DN16 ISO-KF, NO (normally open)
Solenoid 12 V DC, 6.2 W incl. Connector
Solenoid 24 V DC, 6.8 W incl. Connector
Solenoid 230 V AC, 10.5 VA incl. Connector
Others voltages on request

Order No. 1006002697
Order No. 1006003523
Order No. 1006002747
Order No. 1006002656